

BOMAG

SINGLE DRUM VIBRATORY ROLLERS BW 177 D-4, BW 177 DH-4, BW 177 PDH-4

PERFORMANCE DATA



Machine type	Compaction output (m ³ /h)			
	Rock fill	Gravel, sand	mixed soil	Silt, clay
BW 177 D-4	-	210-420	160-320	70-140
BW 177 DH-4	-	210-420	160-320	70-140
BW 177 PDH-4	-	210-420	160-320	95-190

Machine type	Compacted layer thickness (m)			
	Rock fill	Gravel, sand	mixed soil	Silt, clay
BW 177 D-4	-	0,45	0,35	0,15
BW 177 DH-4	-	0,45	0,35	0,15
BW 177 PDH-4	-	0,45	0,35	0,20

BOMAG

TECHNICAL DATA

Shipping dimensions in m3

	without ROPS	with ROPS
BW 177 D-4	20,070	25,798
BW 177 DH-4	20,070	25,798
BW 177 PDH-4	20,070	25,798

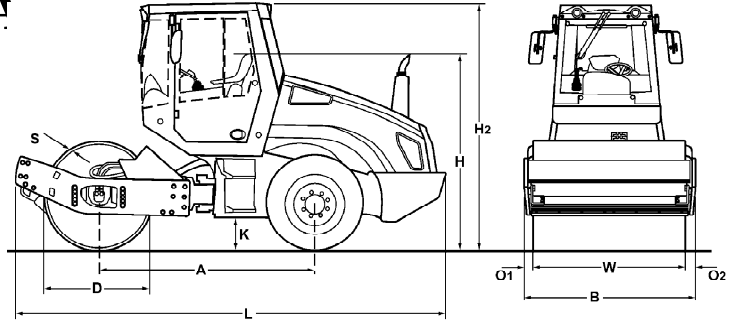
Standard Equipment

- Warning, information and operation displays with round gauges (D)
- Warning, information and operation displays with LCD (DH/PDH)
- Hydrostatic travel and vibration drive
- Anti Slip Control (ASC) (DH/PDH)
- Hydrostatic articulated steering
- Articulated joint lock
- Rear axle with twin spring accumulator brakes
- No-Spin differential lock
- Warning horn
- Single lever control for travel and vibration
- Swivel seat, adjustable in height and longitudinal direction, with two arm
- Contact scrapers (D/DH:plastic)
- Scrapers (PDH:Steel)
- Emergency STOP
- Noise insulation
- Back-up warning system
- BOMAG ECOMODE (DH/PDH)

Optional Equipment

- * ROPS cabin with seat belts
- * Working lights front/rear
- ROPS/FOPS with safety belt
- Rotary beacon
- Indicator and hazard lights
- Padfoot segment kit (D/DH)
- Contact scrapers (D/DH:Steel)
- BOMAG Evib-Meter (BEM)
- TERRAMETER BTM plus
- TERRAMETER BTM prof
- BEM/BCM 05
- TERRAMETER/BCM 05
- Special painting
- Environmentally compliant hydraulic oil
- Air condition
- Ballast front (300kg)
- Sun roof
- Slideable seat (DH/PDH)
- Radio
- Protective ventilation system
- Blade (DH/PDH)

* Standard delivery with CE conformity (valid within European Union)



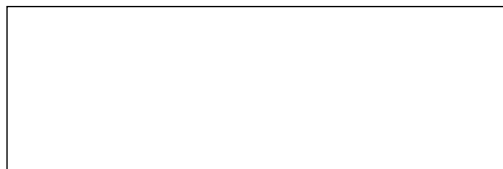
DIMENSIONS IN mm

	A	B	D	H	H2	K	L	O1	O2	S	W
BW 177 D-4	2500	1836	1228	2225	2860	375	4913	75	75	25	1686
BW 177 DH-4	2500	1836	1228	2225	2860	375	4913	75	75	25	1686
BW 177 PDH-4	2500	1836	1208	2225	2860	375	4913	75	75	15	1686

TECHNICAL DATA

	BOMAG BW 177 D-4	BOMAG BW 177 DH-4	BOMAG BW 177 PDH-4
Weights			
Grossweight	kg 8.870	9.200	8.500
Operating weight CECE w. ROPS-cabin .	kg 7.500	7.840	8.100
Axle load, drum CECE	kg 4.190	4.200	4.460
Axle load, wheels CECE	kg 3.310	3.640	3.640
Static linear load CECE	kg/cm 24,9	24,9	
Dimensions			
Working width	mm 1.686	1.686	1.686
Track radius, inner	mm 3.132	3.132	3.132
Driving Characteristics			
Speed	km/h	0- 14,0	0- 14,0
Speed (1)	km/h 0- 7,0		
Speed (2)	km/h 0- 11,0		
Max. gradeability without/with vibr.	% 51/48	58/55	60/58
Drive			
Engine manufacturer	Deutz	Deutz	Deutz
Type	BF4M 2011	BF4M 2012	BF4M 2012
Cooling	water	water	water
Number of cylinders	4	4	4
Performance ISO 3046	kW 56	74,9	74,9
Performance SAE J 1995	hp 75	101	101
Speed	min-1 2.300	2.200	2.200
Fuel	diesel	diesel	diesel
Electric equipment	V 12	12	12
Drive system	hydrost.	hydrost.	hydrost.
Drum driven	standard	standard	standard
Drums and Tyres			
Tyre size	14.9-24/8PR	14.9-24/8PR	14.9-24/6PR
Number of pad feet			104
Height of pad feet	mm		80
Area of one pad foot	cm2		99
Brakes			
Service brake	hydrost.	hydrost.	hydrost.
Parking brake	hydromec.	hydromec.	hydromec.
Steering			
Steering system	oscil.artic.	oscil.artic.	oscil.artic.
Steering method	hydrost.	hydrost.	hydrost.
Steering / oscillating angle +/-	grad 35/12	35/12	35/12
Exciter system			
Drive system	hydrost.	hydrost.	hydrost.
Frequency (1)	Hz 30	30	30
Frequency (2)	Hz 40	40	40
Amplitude	mm 1,90/0,95	1,90/0,95	1,75/0,88
Centrifugal force	kN 135/120	135/120	135/120
Centrifugal force	t 13,8/12,2	13,8/12,2	13,8/12,2
Capacities			
Fuel	l 150	150	150

Technical modifications reserved. Machines may be shown with options.



BOMAG
Hellerwald
D-56154 Boppard
P.O. Box 5162
Tel. (0)6742 - 1000
Fax (0)6742 - 3090
Fax (0)6742 - 3090

BOMAG